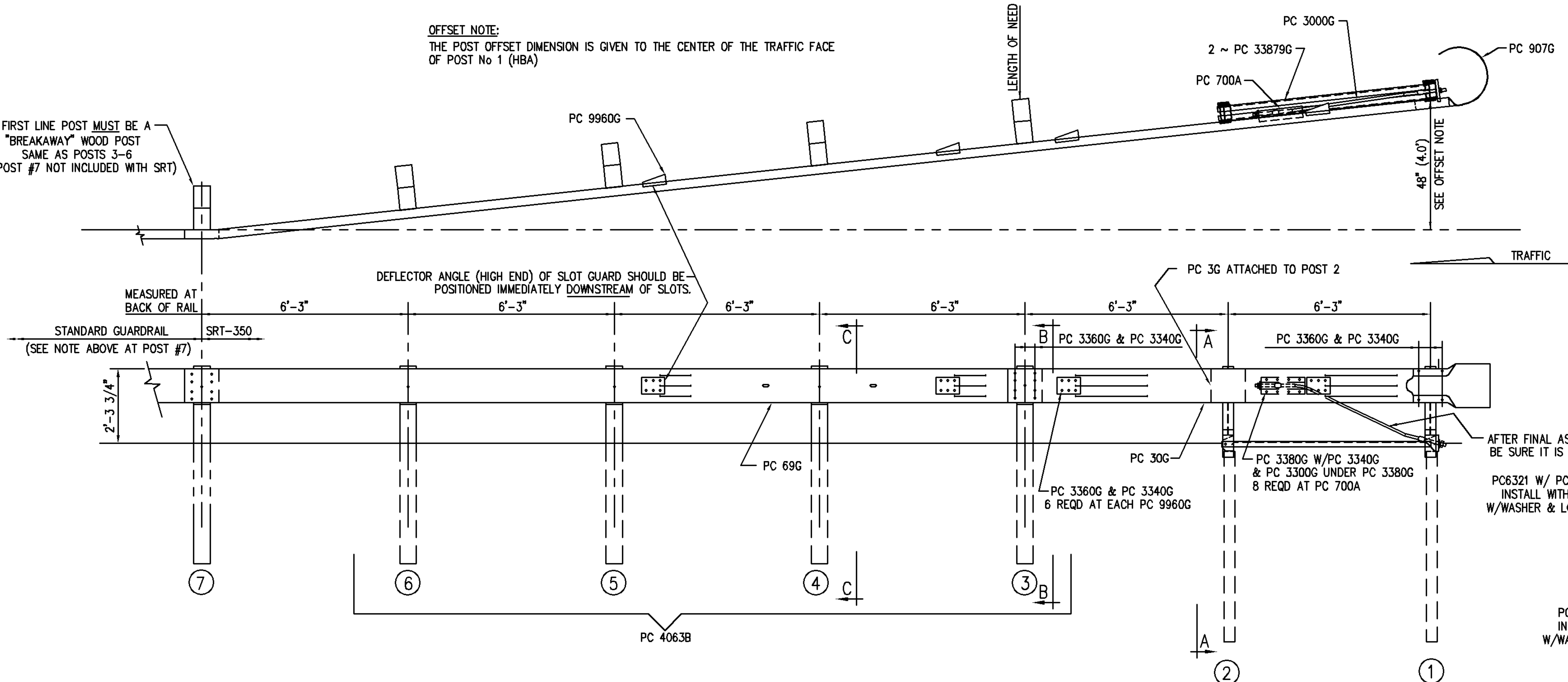


OFFSET NOTE:
THE POST OFFSET DIMENSION IS GIVEN TO THE CENTER OF THE TRAFFIC FACE OF POST No 1 (HBA)

BILL OF MATERIAL

PC	QTY	DESCRIPTION
3G	1	12/12"/BACKUP (GUARDRAIL)
30G	1	12/12"/S SRT-1 (GUARDRAIL)
69G	1	12/25"/S SRT-2 (GUARDRAIL)
700A	1	CABLE ANCHOR BRACKET
907G	1	12"/BUFFER/ROLLED (TERMINAL)
3000G	1	3/4 x 6'6" CABLE
3300G	14	5/8" WASHER
3340G	50	5/8" HEX NUT
3360G	36	5/8" x 1 1/4" SPLICE BOLT
3380G	8	5/8" x 1 1/2" HEX HD BOLT
3400G	2	5/8" x 2" POST BOLT
3580G	4	5/8" x 18" POST BOLT
3701G	10	3/4" WASHER
3704G	4	3/4" HEX NUT
3718G	4	3/4" x 3" HEX HD BOLT (A325)
3900G	1	1" WASHER
3910G	2	1" HEX NUT
4063B	4	6'0" POST 6 x 8
4075B	4	14" BLOCK 6 x 8
4254G	5	3/8" WASHER
4258G	4	3/8" LOCKWASHER
4261G	1	3/8" x 1 1/2" HEX HD BOLT (GR 5)
4699G	4	3/4" LOCKWASHER
6321G	4	3/8" x 2" HEX HD BOLT (GR 5)
6405G	5	3/8" HEX NUT
9960G	4	SLOT GUARD
9961G	1	3/8 x 3 x 4 PLATE WASHER
33876A	1	HBA POST 1 TOP (W6 x 8.5)
33877A	1	HBA POST 2 TOP (W6 x 8.5)
33878A	2	HBA POST 1 & 2 BOT (TS 6 x 4)
33879G	2	ANGLE STRUT 2 x 2 x 3/8
33880G	1	1 x 6 x 8 BEARING PLATE
33881G	1	CABLE WEB PL 4 x 1/4

FIRST LINE POST MUST BE A "BREAKAWAY" WOOD POST SAME AS POSTS 3-6 (POST #7 NOT INCLUDED WITH SRT)



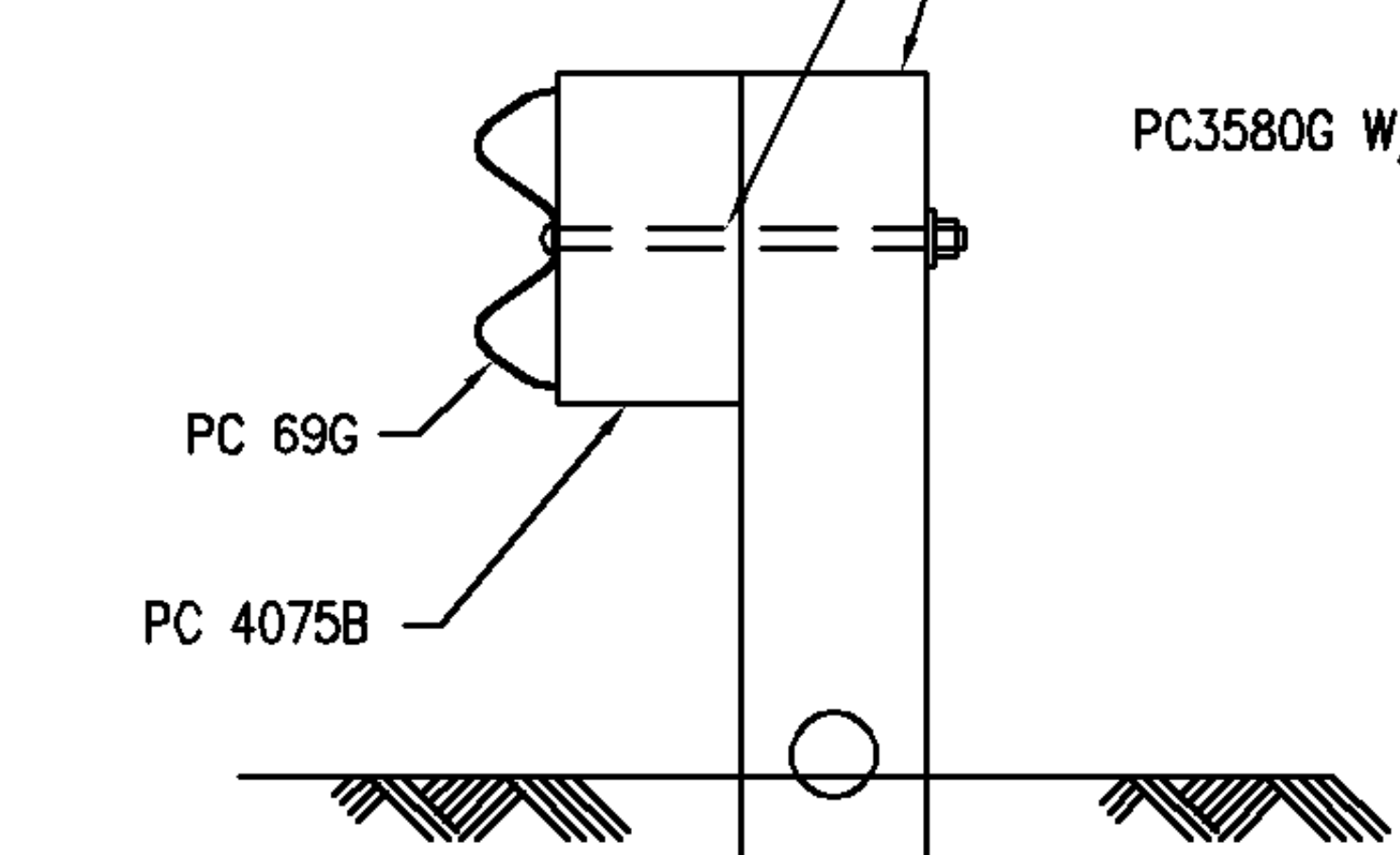
AFTER FINAL ASSEMBLY, RECHECK CABLE TO BE SURE IT IS TAUT AND HAS NOT RELAXED.

PC6321 W/ PC4258, PC4254 & PC6405
INSTALL WITH HEAD ON STRUT SIDE
W/WASHER & LOCKWASHER UNDER HEX NUT

PC3718 W/ PC3701, PC4699 & PC3704
INSTALL WITH HEAD ON STRUT SIDE
W/WASHER & LOCKWASHER UNDER HEX NUT

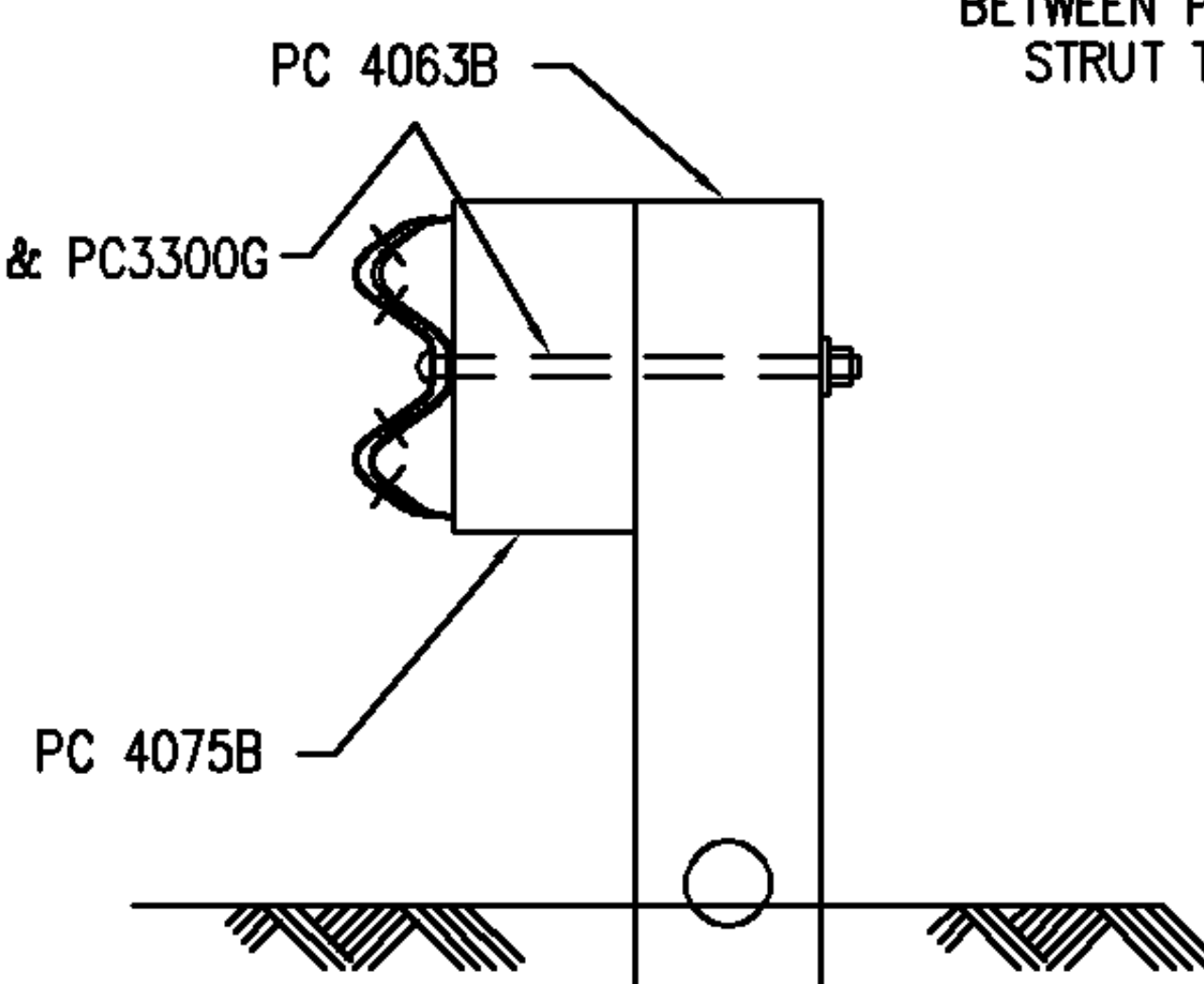
DETAIL "G"
(@ POST #1)

PC3580G W/PC3340G & PC3300G



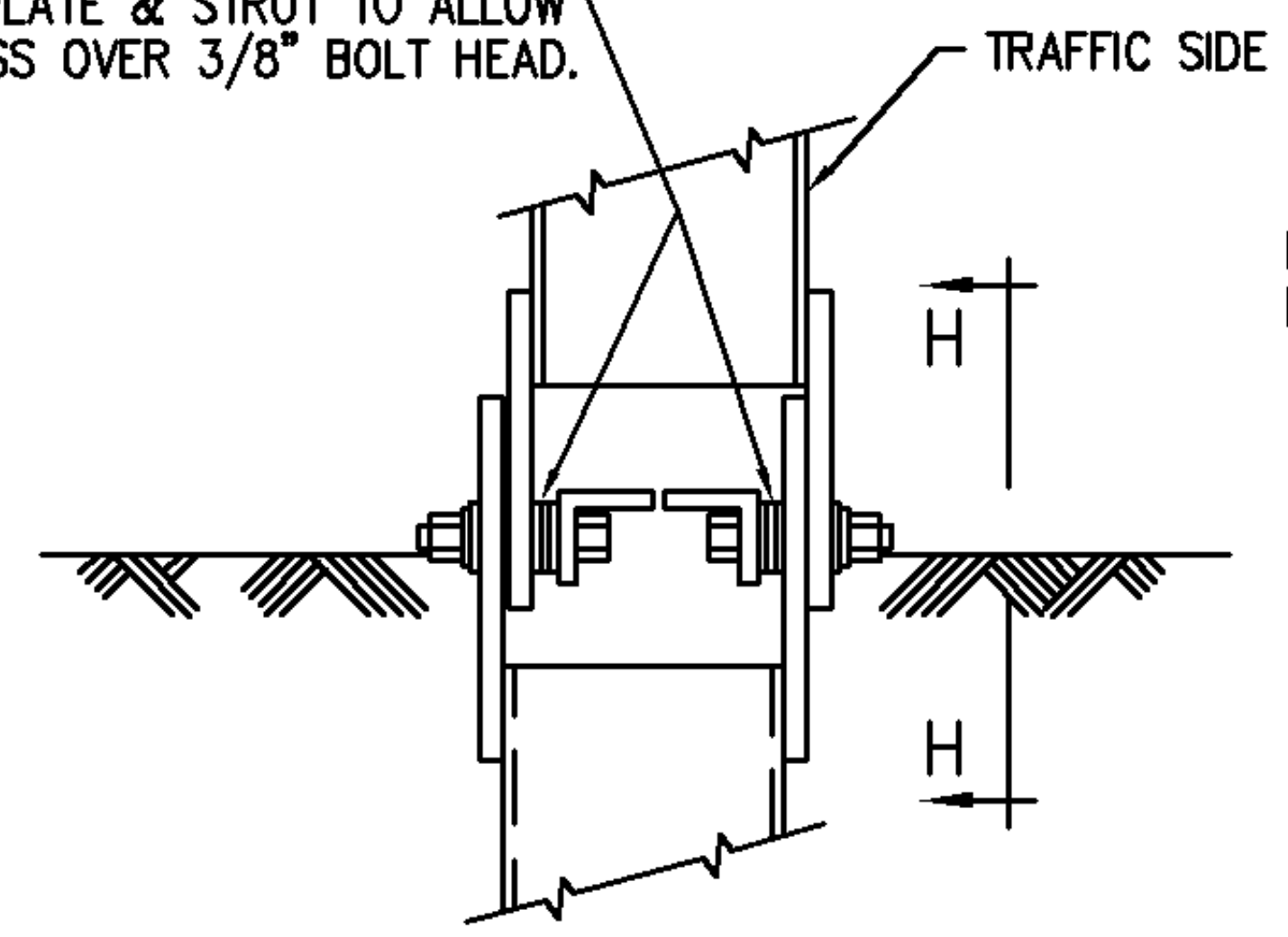
SECTION "C-C"
(@ POST #4, #5 & #6)

PC3580G W/PC3340G & PC3300G



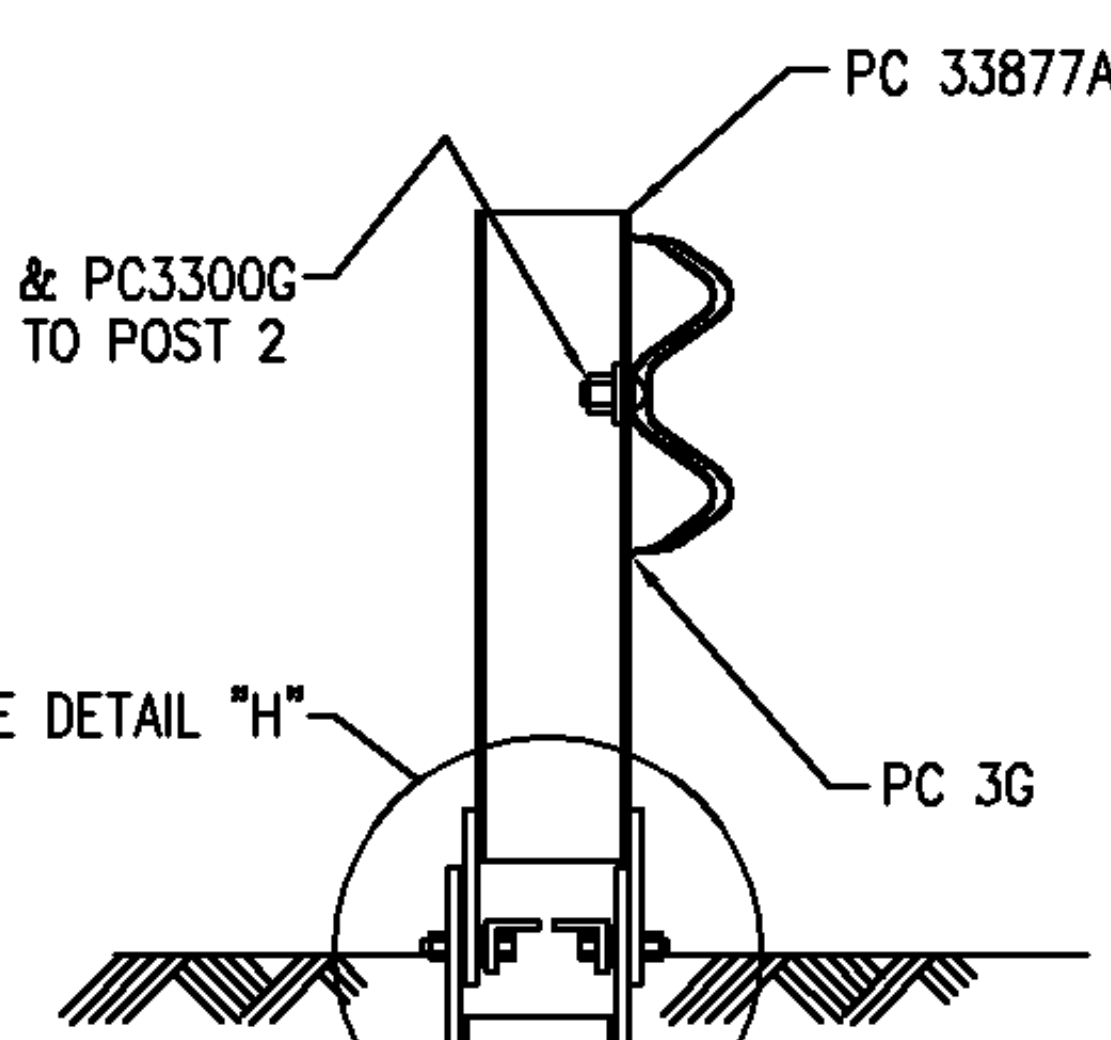
SECTION "B-B"
(@ POST #3)

STACK 2-3 WASHERS ON 3/4" BOLT BETWEEN POST PLATE & STRUT TO ALLOW STRUT TO PASS OVER 3/8" BOLT HEAD.

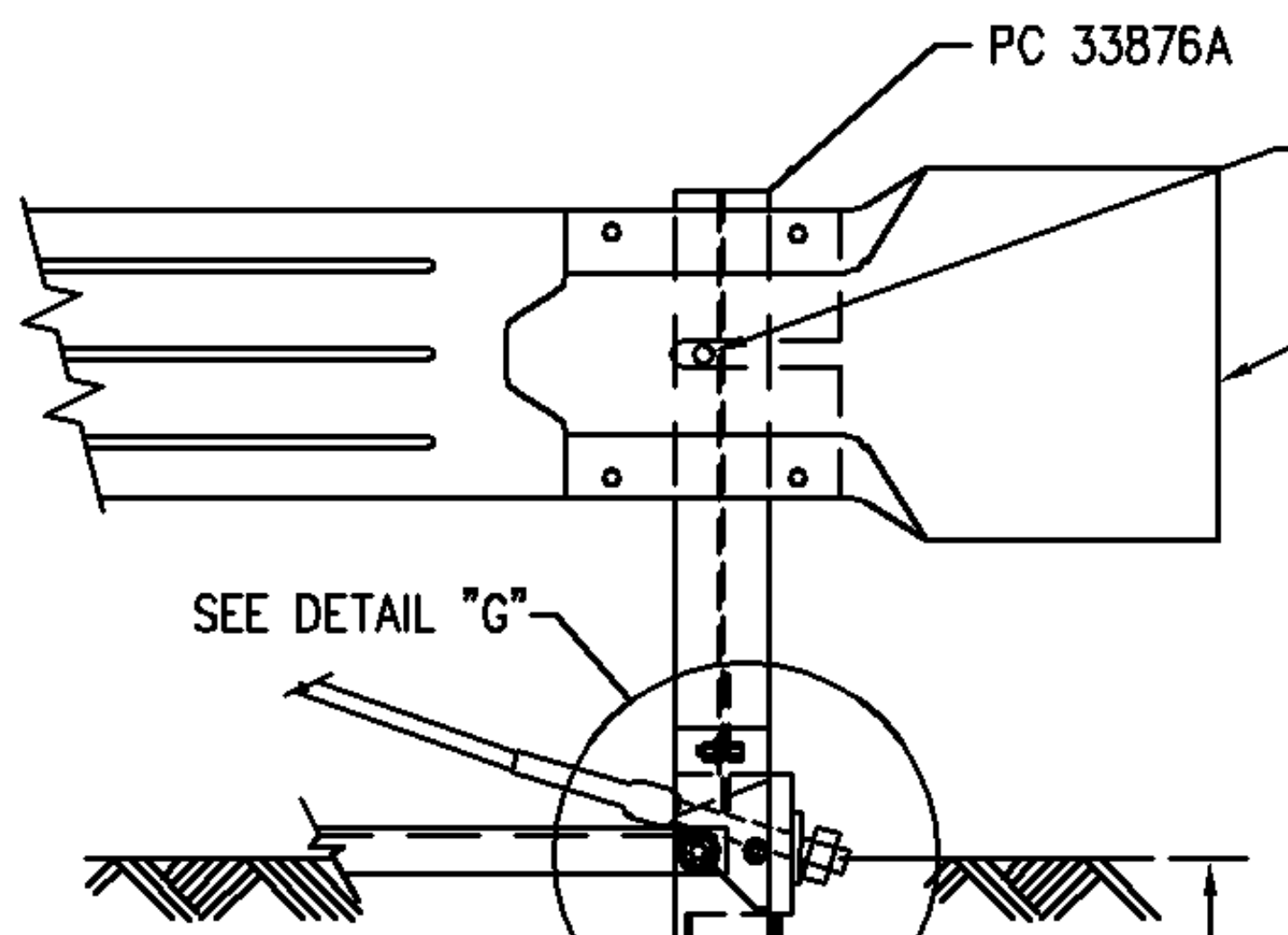


DETAIL "H"
(@ POST #2)

PC3400G W/PC3340G & PC3300G DO NOT ATTACH RAIL TO POST 2

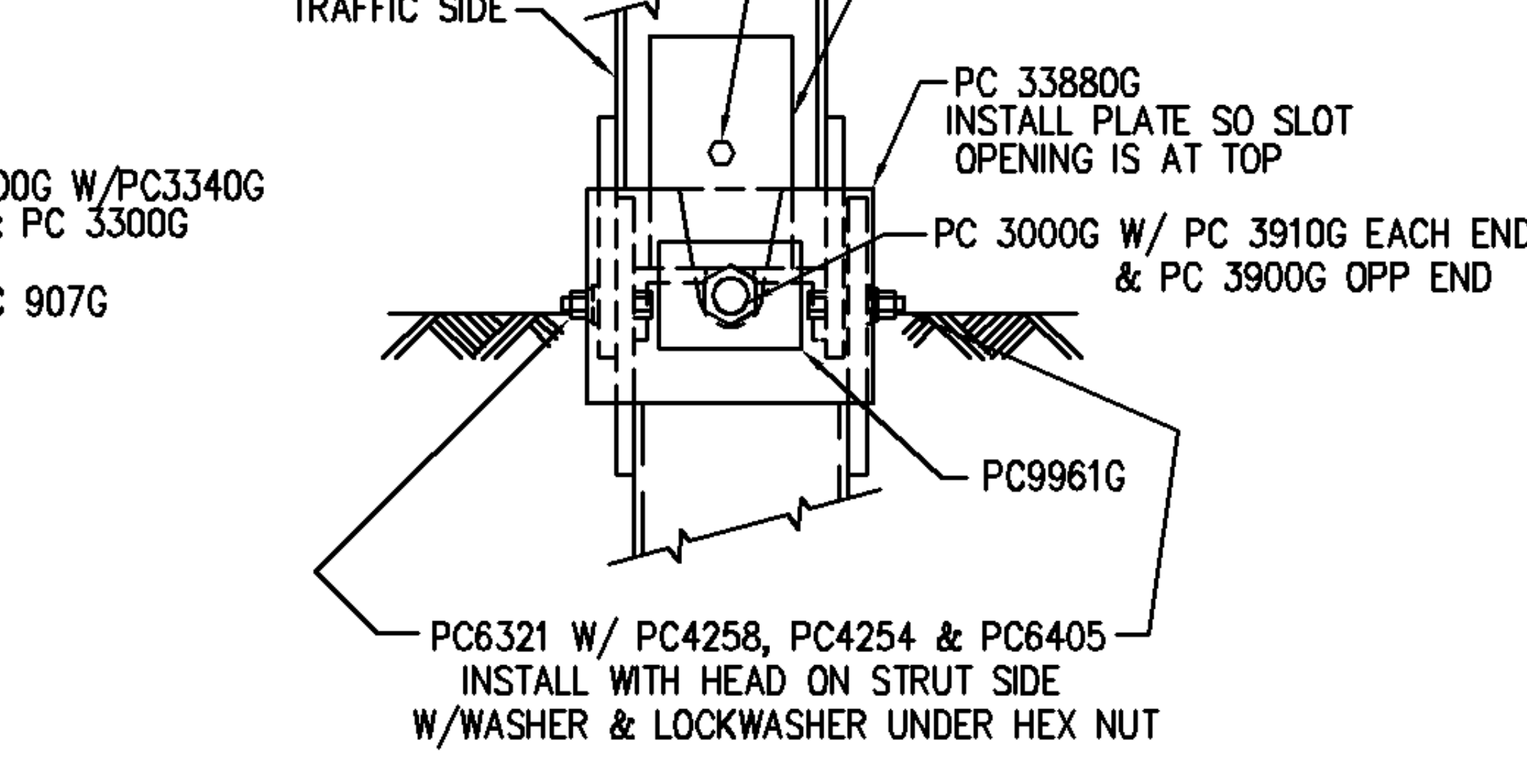


SECTION "A-A"
(@ POST #2)



ENLARGED VIEW @ POST #1

PC4261G W/ PC6405G & PC4254G



VIEW "G-G"
(@ POST #1)

REV.	CHK'D	BY	DATE	REMARKS

SRT-350

DRAWN JRS
CHECKED BT
APPROVED
DATE 08/08/02
ENG. FILE # SS352-01E
SHT.No. E1 OF 1
DRAWING NO. SS 352
REV. 0

TRINITY INDUSTRIES, INC.
HIGHWAY SAFETY PRODUCTS
2525 STEMMONS FREEWAY, DALLAS, TX 75207

This drawing and the information shown thereon is the sole property of TRINITY INDUSTRIES, INC. Neither the drawing nor such information is to be used for any purpose other than that for which it was specifically furnished by TRINITY INDUSTRIES, INC., nor is any reproduction authorized without written permission.